



### DESCRIPTION:

- Contemporary style.
- High gloss / Crack-resistant acrylic.
- Slotted overflow & pop up drain included.
- Complies with CSA & IAPMO standards.

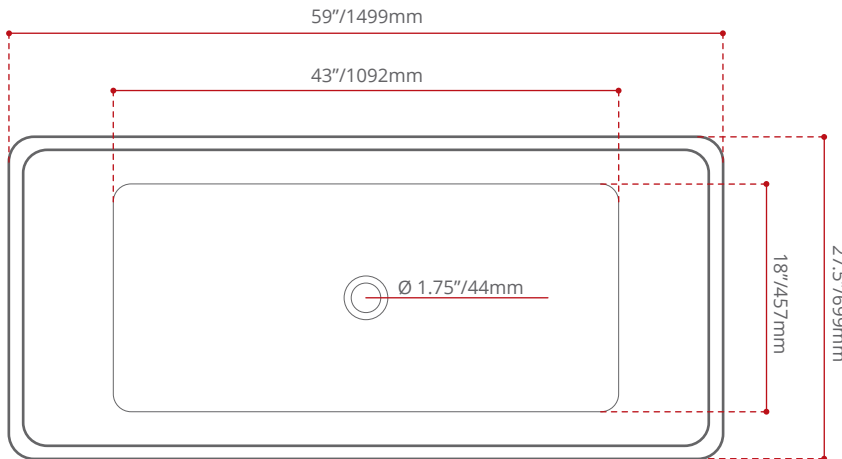
### AVAILABLE OPTIONS:

- Exterior colours.

### JETTING OPTIONS:

- Lateral Air Jets.
- Air Illusion Jets.
- Filler Air Jets.
- Square Zen Air Jets.
- V-Masseuse.
- Chromatherapy.
- Aromatherapy.
- Comfort warm system.

- For ease of installation use our Freestanding Faucet and Pump Allaire module -



### WATER DEPTH

14"/356mm

### CAPACITY

63 gal.  
237 litres of water

### SHIPPING DIMENSIONS

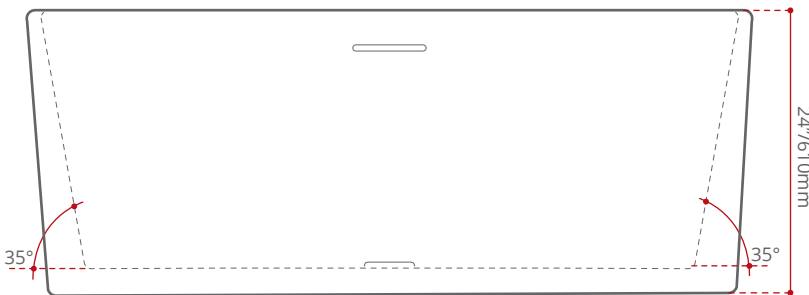
61 x 30 x 26" / 1549 x 762 x 660mm

### NET WEIGHT

46 kg / 101 lbs

### GROSS WEIGHT

59 kg / 130 lbs



Measurements may vary  $\pm$  5mm  
- Diagram NOT to scale -